

LASERMET

ICS-KP14 INSTRUCTION MANUAL



Access Keypad with
Dual Channel Override Timer

Lasermet ICS-KP14 Instruction Manual

Contents

Concept.....	3
CE Declaration of Conformity.....	4
Configuration Options.....	5
Installation.....	6
Wiring.....	8
Connecting to Lasermet ICS Control Panels.....	10
Connecting to ICS-1, overriding only the associated door.....	10
Connecting to ICS-1, overriding all doors.....	11
Connecting to ICS-5, overriding only the associated door.....	12
Connecting to ICS-5, overriding all doors.....	13
Connecting to ICS-6, overriding only the associated door.....	14
Connecting to ICS-6, overriding all doors.....	15
Internal Door Release.....	16
Connecting to Door Lock.....	17
Attaching the Keypad to the Backplate.....	18
Removing the Keypad from the wall.....	19
Indicators.....	20
Programming.....	21
Operation.....	24
Specifications.....	26
Contact Details.....	27

Concept

The ICS-KP14 Keypad is intended to be used in conjunction with Lasermet's Laser Interlock systems for the purpose of inhibiting access to a hazardous area to unauthorised persons. Normally this means persons without the necessary training and personal protective equipment for the area concerned. The keypad is sited outside a door which is electrically locked and monitored by the interlock system.

The keypad is not intended to be used as part of a security system.

The keypad has two timers which may be programmed to activate for a defined time interval when the correct 4-digit user code is entered. When wired into a Lasermet interlock system, one output is used to unlock the door and one to activate the override function to allow the door to be opened without tripping out the laser.

The keypad may either be wired to the interlock control panel to override all the door switches, or to the contacts of the adjacent door such that only one door is defeated.

It is possible to program the keypad to disable either of the timer outputs. This may be used for example where the door is not fitted with an electric lock, in which case the door lock function would be disabled.

The override timer function is of a dual-channel cross-checked configuration and is designed to achieve a safety performance level of PL 'e' to EN13849 when correctly wired to a suitable interlock system.

Lasermet provides a full range of laser interlock equipment including control systems, interlock switches, illuminated warning signs, laser shutters, door locks, external power supplies etc. which can be connected to provide a complete laser interlock system. Full support, design and installation is available from Lasermet, please contact us for any queries. Contact details are given at the end of this manual.

CE Declaration of Conformity

Manufacturer: Lasermet Ltd.
Lasermet House, 137 Hankinson Road,
Bournemouth BH9 1HR U.K.

Equipment: ICS-KP14 Keypad
01850-00-000

Applicable Directives: Low Voltage Directive 73/23/EEC
CE Directive 93/68/EEC
EMC Directive 2004/108/EC

European Standards to which conformity is declared:

EN 60950-1:2006
EN 61000 tbc

I hereby declare that the above listed products conform to the relevant sections of 73/23/EEC, 93/68/EEC and 2004/108/EC.

Signed:



Name: Adrian Tyerman

Position: Quality Assurance Manager

Date: 3 November 2015.

Configuration Options

The ICS-KP14 Keypad has two outputs which activate for a set time when the correct 4-digit user code is entered: the Override output and the Door Unlock output. Each output illuminates a corresponding indication on the keypad when activated.

Each output may be independently programmed to activate for a set time between 1 and 30 seconds when the correct code is entered on the keypad. An output is disabled by programming it to operate for 0 seconds.

For laser interlock systems in which the entry door is electrically locked, e.g. by a maglock, the Door Unlock output should be used to release the door, and the Door Unlock time should be programmed for the required door lock release time.

If there is no electric lock on the door, the Door Unlock output is not used and the Door Unlock time should be set to 0 to disable the indication on the keypad.

The entry door will normally be fitted with an interlock switch that indicates to the interlock control system that the door has been opened and this will cause the laser to be disabled. The Override output should be used when it is desired to be able to open the entry door without disabling the laser. The Override time should be set to the shortest reasonable time required for the door to be opened and then closed again.

If it is desired to be able to release the door lock only i.e. the laser will be disabled by the door contact when the door opens, the Override output can be disabled by setting the time duration to 0.

The ICS-KP14 has a remote activation input which may be wired to a separate pushbutton switch. This is usually provided on the inside of the controlled door and allows persons to leave the controlled area without disabling the laser. When the button is pressed, the keypad performs the same functions as if the user code had been entered.

Installation

The ICS-KP14 is designed to be permanently attached to a wall or other fixed vertical surface.

The ICS-KP14 should be mounted in a convenient position for use and wiring. Normally it is located on the outside ('safe') side of the entry door of the controlled area, on the wall adjacent to the door handle, approximately 1.2m up from floor level.

During installation, wired connections will need to be made from the ICS-KP14 to the Interlock Control System and possibly the door interlock switch and magnetic door lock, and allowance should be made for the installation of electrical conduit or trunking if required to make entry to the unit.

Ideally the keypad should be attached directly to the wall with the cables being fed from within the wall. For hollow walls this should be straightforward. For solid walls it may be easiest and neatest to feed the cables right through the wall from the other side.

Alternatively the keypad may be attached to a round conduit box which may be buried or surface-mounted, though this last option will result in the unit projecting further from the wall, making it less stable and more vulnerable.

It is recommended that the centre of mounting is at least 100mm horizontally from the door surround/architrave and at least 150mm from the edge of the door. There must be a flat unobstructed area of wall extending at least 70mm above and 110mm below the mounting centre to allow fitment and removal.

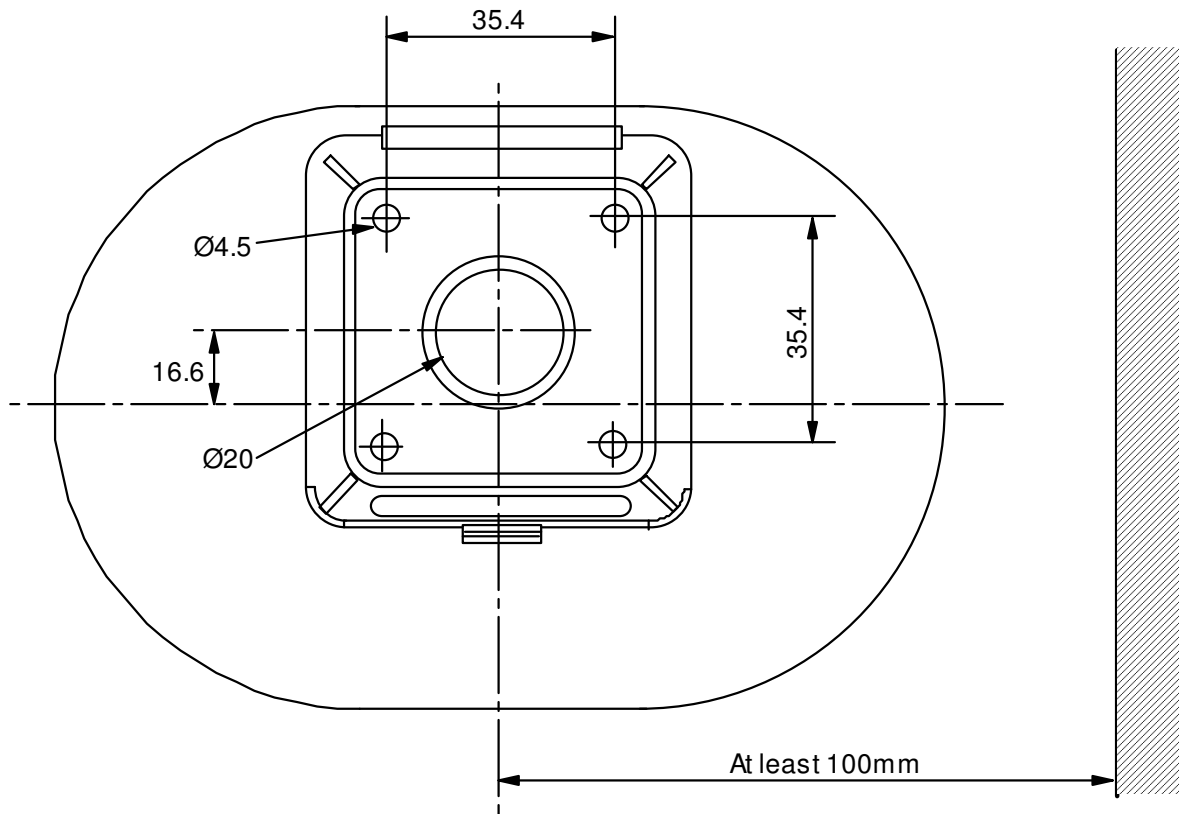
If a Lasermet Miniature Warning Sign is being fitted above the keypad the centres should be at least 140mm apart vertically.

Refer to the diagram below for details of the fixing holes and cable entry. The rear cover is secured using preferably four screws on a 35.4mm square around the cable entry point. The rear cover may be used as a marking template. If using a round BESA conduit box, the holes will align with the cover fixing holes.

Once all the holes have been made, secure the rear cover as shown in the diagram below.

Feed the cables through the hole in the centre of the rear cover.

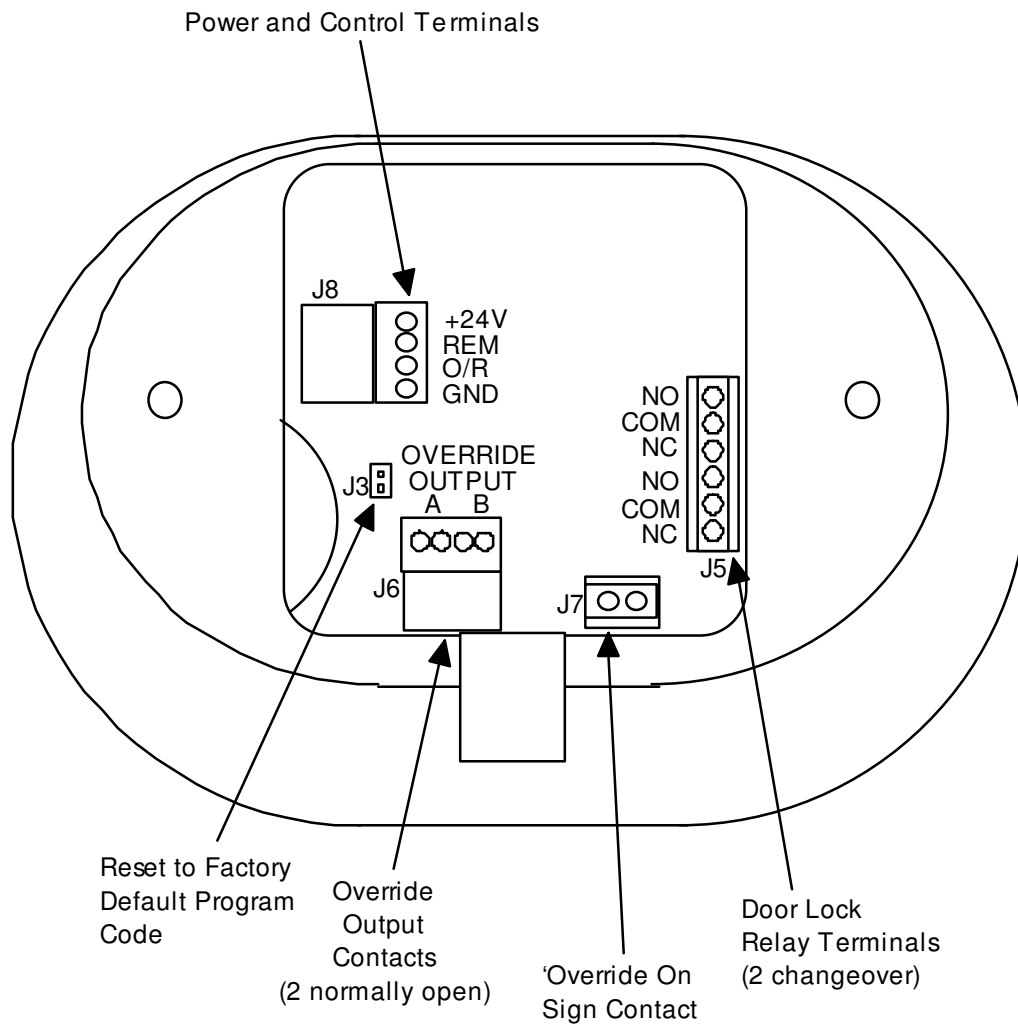
NOTE: Make the electrical connections before attaching the unit to the rear cover, see the Wiring section.



Wall Drilling Details

Wiring

The keypad is powered by 24VDC. A four-way plug-in terminal block J8 is provided for the control and power connections, and it is usually easiest to unplug the terminals while making the connections.



Terminal Identification

The power supply is connected with the positive to the +24V terminal and the negative to the GND terminal.

The REM input can be connected to a separate pushbutton switch to activate the keypad remotely. When the button is pressed, the keypad activates its outputs according to the programmed settings as though the correct code had been entered.

on the keypad. The pushbutton is wired between the REM and +24V terminals. If this function is not required, simply make no connection to the REM terminal.

The O/R terminal is the override output. The keypad connects this terminal to +24V while the override is active.

Terminal Block J6 provides two isolated volt-free contacts which close when the override timer is active.

Terminal block J5 provides two isolated volt-free changeover contacts which operate when the lock timer is active.

Connecting to Lasernet ICS Control Panels

The ICS-KP14 may be connected such that it either overrides the individual door to which it is associated, or to override all doors in the system.

Connecting to ICS-1, overriding only the associated door

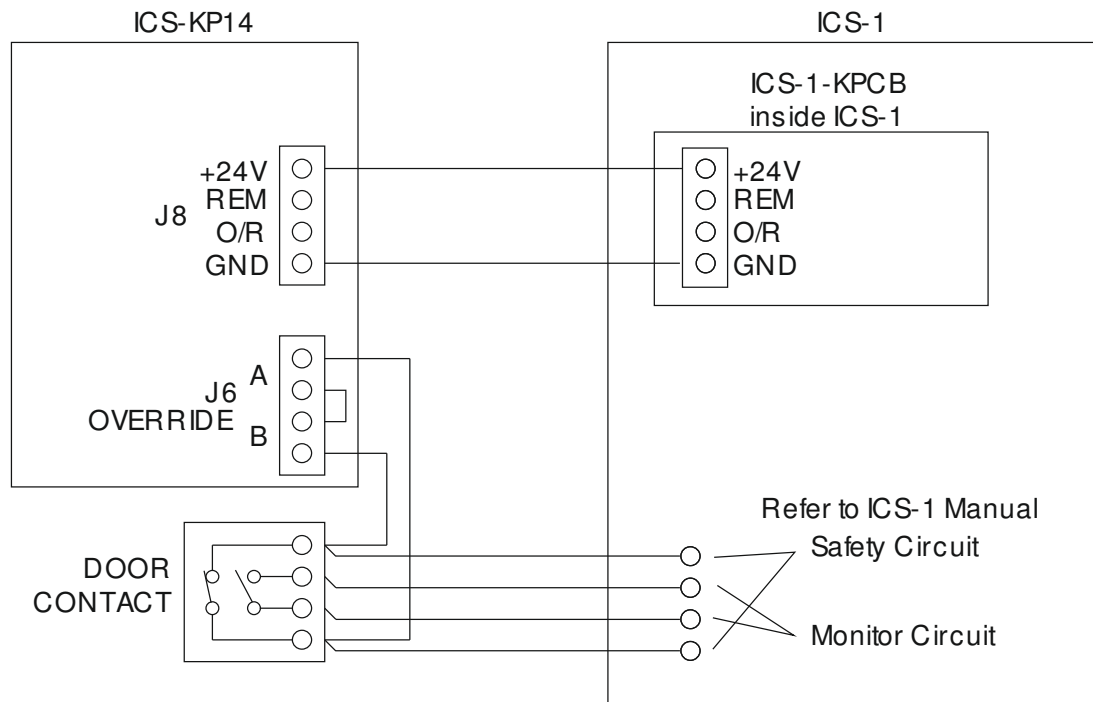
This requires the ICS-1 Keypad and Sign adaptor board ICS-1-KPCB. This is fitted inside the ICS-1 and provides screw terminals for connection to the keypad, and an override audible alarm.

To install the adaptor board, first switch off mains power to the ICS-1. Now open the ICS-1 and fit the adaptor board in the space near the top of the main circuit board inside the ICS-1. If there is already a circuit board fitted in the space which has more components than the adaptor board this is probably an Override Board which may be removed since the keypad has the override built-in.

Ensure that the pins on the adaptor board are correctly aligned and inserted into the socket strip on the main circuit board, and secure the opposite end of the adaptor board using the M3 screw provided.

Two of the screw terminals labelled +24V and 0V are provided on the adaptor board which should be wired directly to the corresponding terminals of J8 inside the keypad using suitable copper low-voltage cable.

Override output contacts A and B on J6 in the keypad are wired in series across the safety contact of the door switch. This is the contact which is closed when the door is closed. When the override is activated the keypad override contact will maintain the safety circuit when the door contact opens.



Once the wiring connections have been made, attach the keypad to the wall plate as described in the next section.

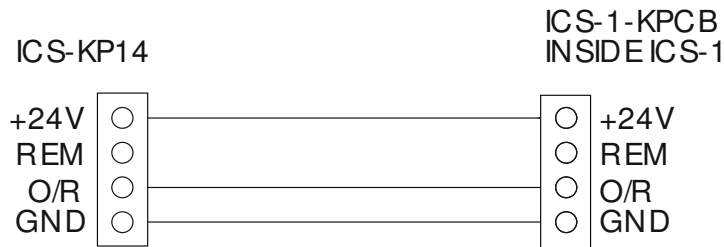
Connecting to ICS-1, overriding all doors

This requires the ICS-1 Keypad and Sign adaptor board ICS-1-KPCB. This is fitted inside the ICS-1 and provides screw terminals for connection to the keypad, and an override audible alarm.

To install the adaptor board, first switch off mains power to the ICS-1. Now open the ICS-1 and fit the adaptor board in the space near the top of the main circuit board inside the ICS-1. If there is already a circuit board fitted in the space which has more components than the adaptor board this is probably an Override Board which may be removed since the keypad has the override built-in.

Ensure that the pins on the adaptor board are correctly aligned and inserted into the socket strip on the main circuit board, and secure the opposite end of the adaptor board using the M3 screw provided.

Three of the screw terminals labelled +24V, O/R and 0V are provided on the adaptor board which should be wired directly to the corresponding terminals of J8 inside the keypad using suitable copper low-voltage cable.

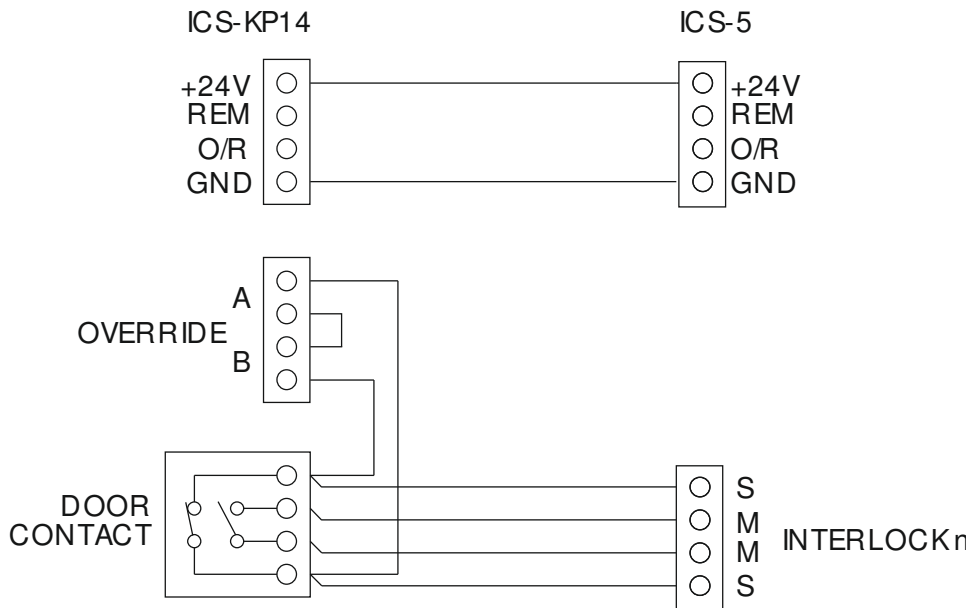


Once the wiring connections have been made, attach the keypad to the wall plate as described in the next section.

Connecting to ICS-5, overriding only the associated door

Two of the screw terminals of J8 inside the keypad: +24V and 0V are wired directly to the corresponding terminals of J17 inside the ICS-5 using suitable copper low-voltage cable.

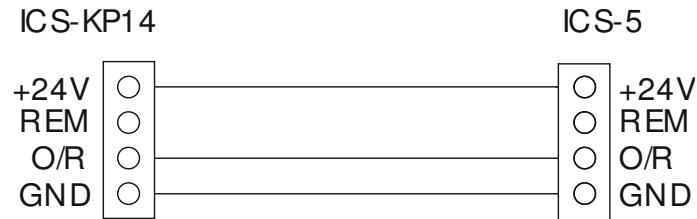
Override output contacts A and B on J6 in the keypad are wired in series across the safety contact of the door switch. This is the contact which is closed when the door is closed. When the override is activated the keypad override contacts will maintain the safety circuit when the door contact opens.



Note that in this mode the override buzzer and light in the ICS-5 are inoperative.

Connecting to ICS-5, overriding all doors

Three of the screw terminals labelled +24V, O/R and 0V on J17 inside the ICS-5 should be wired directly to the corresponding terminals of J8 inside the keypad using suitable copper low-voltage cable.



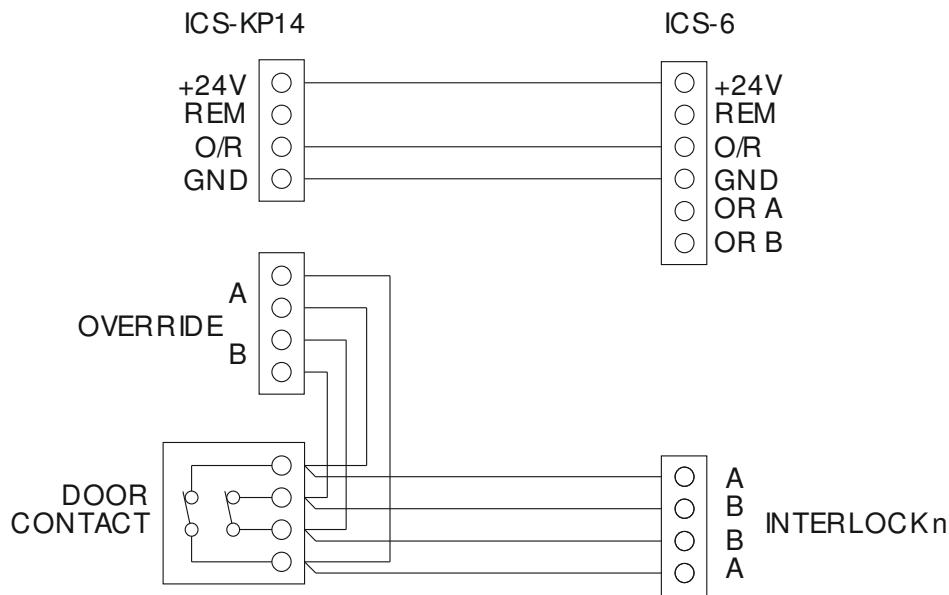
Ensure the plug-in jumper link J2 'O/RIDE CTRL' on the ICS-5 Main Circuit Board is set closed (both pins shorted together) so that the keypad can activate the override circuitry inside the ICS-5.

Connecting to ICS-6, overriding only the associated door

Three of the screw terminals of J8 inside the keypad: +24V, O/R and 0V are wired directly to the corresponding terminals of J7 inside the ICS-6 using suitable copper low-voltage cable. The O/R connection allows the ICS-6 to signal an override when the keypad is operated.

The jumper link J6 'OVERRIDE CONTROL' is removed so that the ICS-6 only indicates that an override is active but isn't actually overridden itself.

The two override output contacts A and B on J6 in the keypad are wired across the two safety contacts of the door switch. This is the contact which is closed when the door is closed. When the override is activated the keypad override contacts will maintain the safety circuit when the door contacts open.



IMPORTANT!

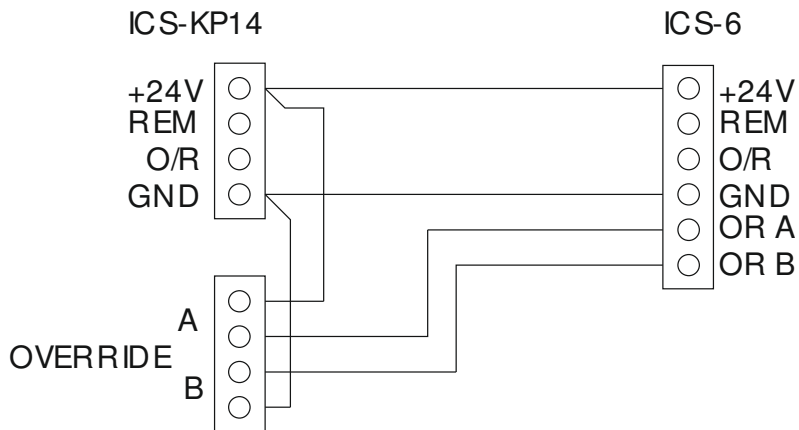
Ensure the plug-in jumper link J6 'OVERRIDE CONTROL' on the ICS-6 Main Circuit Board is removed (set open) so that the keypad can activate the override indications in the ICS-6 without actually overriding it. If this link is left closed all the other doors in the system will be overridden at the same time.

Connecting to ICS-6, overriding all doors

Connections are made inside the keypad to produce a dual channel override signal to the ICS-6, as follows:

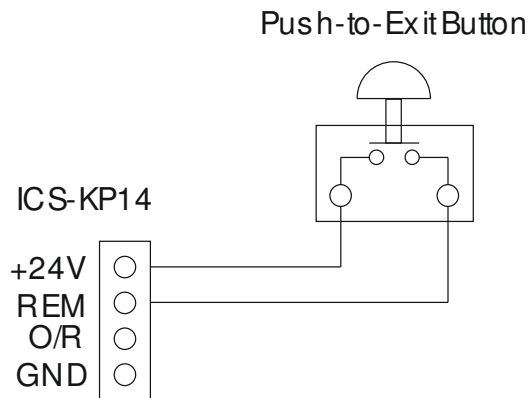
Two of the screw terminals labelled +24V and 0V on J7 inside the ICS-6 should be wired directly to the corresponding terminals of J8 inside the keypad using suitable copper low-voltage cable. The jumper link J6 'OVERRIDE CONTROL' may be left open or closed.

Then a jumper wire is put inside the keypad from J8 +24V to one of the A terminals of J6, and another jumper from J8 GND to one of the B terminals of J6. The other 'A' terminal of J6 goes to the 'OR A' terminal of J7 inside the ICS-6, and the other 'B' terminal of J6 goes to the 'OR B' terminal of J7 inside the ICS-6. Make sure the connections are not transposed- the OR A terminal of J7 in the ICS-6 must be fed through the A terminals of J6 in the keypad and thence to +24V, and the OR B terminal through the 'B' terminals of J6 to 0V (GND).



Internal Door Release

It is usual to provide an internal door release pushbutton to allow persons within the controlled area to exit the area without tripping the laser. The pushbutton should be equipped with a contact which closes when the button is pressed (NO). The pushbutton is connected across the +24V and REM terminals of J8 inside the keypad.



When the Push-to-Exit button is pressed the keypad will operate in exactly the same way as it does when a valid code is keyed.

Connecting to Door Lock

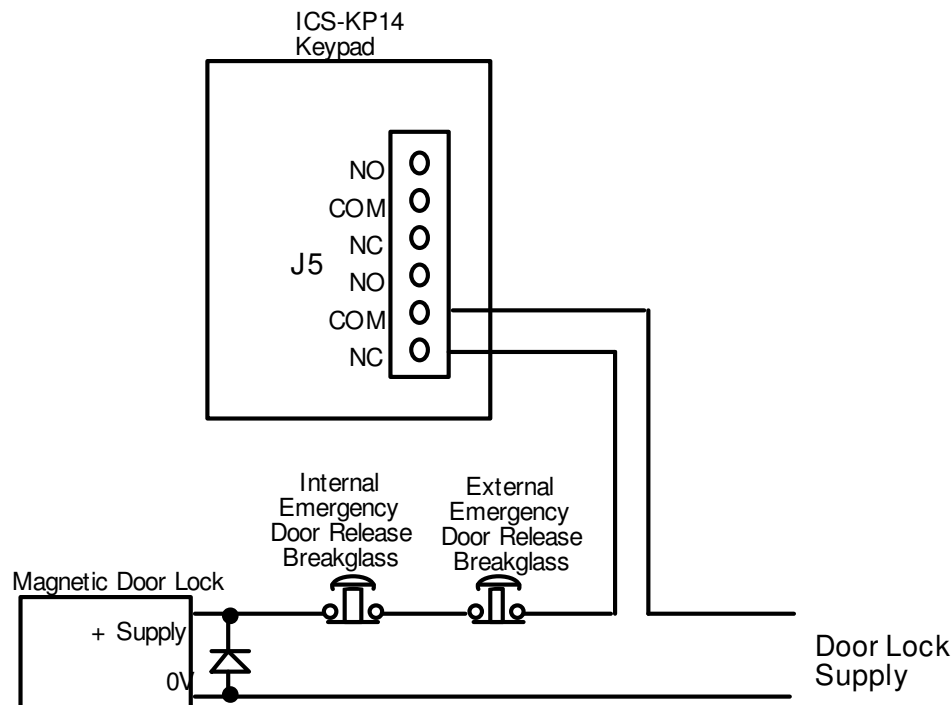
The ICS-KP14 has two isolated volt-free changeover contacts which may be used to release electric door locks. The contacts are rated at 6A resistive load. Each contact is normally sufficient for two magnetic door locks. Note that magnetic door locks must be fitted with suppression diodes and must be connected the right way round. Magnetic door locks supplied by Lasernet have the diode built-in.

The contacts are available on the terminals labelled COM, NO, NC on terminal block J5 inside the keypad. This terminal block is fixed to the circuit board and does not unplug.

Usually only one contact is needed. The positive feed to the door lock should be connected to one of the COM terminals on J5, and the adjacent NC terminal should then go to the positive connection of the lock, see below. This will enable the keypad to break the circuit to the lock thus releasing it. For safety reasons emergency breakglass buttons should be provided on both sides of the door to allow it to be unlocked in the event of an emergency.

Refer to the ICS Manual for more information on wiring door locks to the system.

If no lock is provided this part of the circuit may be omitted, and the keypad should be programmed not to activate the door relay and 'Door Unlocked' indication as described later in this manual.



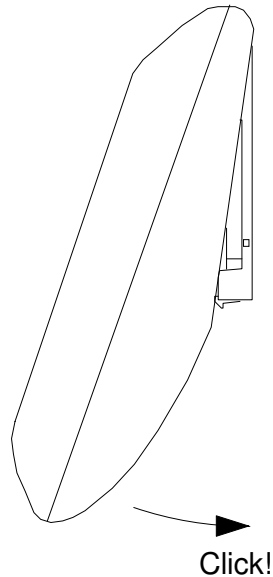
Connecting two or more Keypads to one ICS

If it is desired to be able to access the controlled area through more than one door while the laser is on, additional keypads may be connected as required.

To do this, wire each keypad according to the appropriate wiring diagram above. At the keypad connector in the ICS, connect all the incoming keypad wires together into the same terminals.

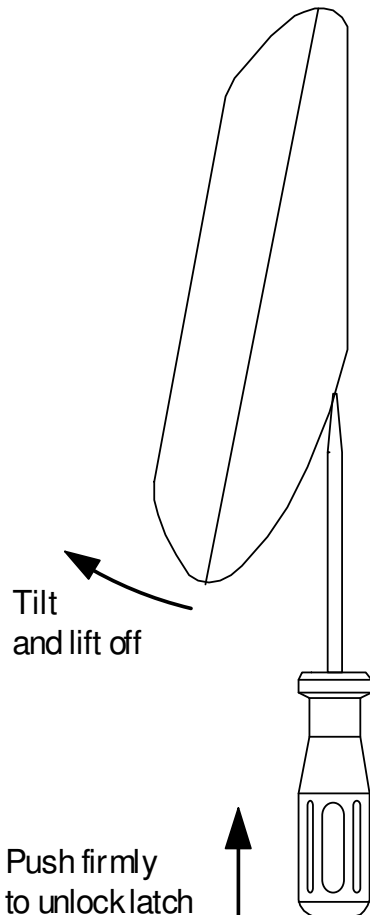
Attaching the Keypad to the Backplate

Once all the wiring connections have been made, attach the keypad to the backplate by hooking the top of the keypad onto the backplate and swinging the bottom against the wall. Press the keypad firmly until it clicks into place.



Removing the Keypad from the wall

Once the keypad has been locked to the wall, a 5mm flat screwdriver is required to release the locking latch before it can be removed as shown below.



Ensure that the supply is turned off.

Insert the screwdriver into the recess in the bottom of the keypad at the back and push the latch upwards to disengage it from the case. Note that the latch is quite secure and some force may be needed before it releases. When the latch is released it will be possible to tilt the bottom of the keypad forwards and then lift it off the backplate.

Use a 3mm flat screwdriver to disconnect the wires from the terminals.

Indicators

PWR

The 'PWR' LED is illuminated when the keypad has power.

PRG

The 'PRG' LED will light or flash yellow when the keypad is being programmed.

'DOOR UNLOCKED'

This message illuminates green in the upper black panel when the correct user code has been entered and the Door Unlock output is active. The keypad has an audible alarm which sounds while the door is unlocked.

'OVERRIDE ON'

This message appears in red in the lower black panel when the correct user code has been entered and warns that the interlock is temporarily defeated, allowing the door to be opened without tripping out the laser.

Sounder

An internal sounder beeps to confirm each key press. It produces a rapid pulsing tone when the Door Unlocked output is active.

Programming

The keypad should be programmed before use to set the desired operating times and the codes for programming and entry.

Ensure the keypad power is on (blue PWR indicator lit).

To put the keypad into program mode, type the following:



Note that '1234' is the factory default program code. This may have been changed following installation.

The yellow PRG light will flash slowly to indicate the keypad is in program mode.

Now select one of the following choices by pressing the appropriate key on the keypad:

- 1** Change User Code
- 2** Change Program Code
- 3** Change Override Time
- 4** Change Door Unlocked Time
- 5** Enter Test Mode
- #** Exit and return to normal operation.

1 Change User Code, 2 Change Program Code.

When you have selected one of these, the PRG light will flash quickly to show that the keypad is ready to accept the new code. Type in the new four-digit numerical code, followed by #. The code will be stored by the keypad, and it will return to the Program Mode menu above, with the PRG light flashing slowly, ready for the next choice.

Note that if you change the program code, you will need to enter the new code in

place of 1234 shown above to enter program mode next time.

3 Change Override Time, 4 Change Door Unlocked Time.

The factory default times for Door Unlocked and Override are 5 seconds and 15 seconds respectively, and these will probably be suitable for most locations.

The override time should be set long enough for the user to open the door, enter the room and then close the door. If this time is too short, the laser may become tripped out before the door is closed. If this time is longer than necessary, the protection offered by the interlock system is diminished. The Override time can be altered using option 3.

In general the Door Unlocked time should be quite short, enough for the user to open the door but short enough that the door becomes relocked as soon as it closes. The Door Unlocked time can be altered using option 4.

When you have selected one option 3 or 4, the PRG light will flash quickly to show that the keypad is ready to accept the new activation time for the selected output. Type in the desired time in seconds in the range 1 – 30, followed by #. The time will be stored by the keypad and it will return to the Program Mode menu above, with the PRG light flashing slowly, ready for the next choice.

If you wish to disable the selected output, for example to disable the Door Unlock output because there is no door lock, simply program the selected time to 0 seconds.

If you make an invalid entry, e.g. by entering a time greater than 30 seconds, the keypad will return to the Program Mode menu with the PRG LED flashing slowly and the time value will not be changed.

5 Enter Test Mode

Selecting this option causes the keypad to run it's built-in test function. Once 5 has been pressed, the PRG light will flash quickly to show that the keypad is ready to begin the test. Press all the keys once in the following order:




If all is well the Door output will activate for the programmed time period (unless the time has been set to 0), and the Override output will operate. The test verifies that both the normal and backup override timers are working, so the user should check that the override indication on the ICS panel ceases within 50 seconds and the Override indication on the keypad is extinguished after 60 seconds.

If the ICS panel override indication ceases *at the same time* as the override indicator on the keypad, this should be considered a fault and the keypad may be defective.

Once the test function has completed, the keypad will return to the Program Mode menu above, with the PRG light flashing slowly, ready for the next choice.

Exit and return to normal operation

Once you have finished programming and testing, press  to return to normal operation.

Operation

The ICS-KP14 is operational when the PWR light is on. For most installations this is either when the ICS mains switch is turned on or when it is armed.

The User Code should only be known to persons with the required training and personal protective equipment who are authorised to enter the controlled area with the laser activated.

To activate the system override and unlock the door, type in the four-digit user code. The factory default user code is

3 3 3 3

Preferably the user code should have been reprogrammed to some new four-digit code, see Programming.

When the correct user code has been entered, the Override On and, if programmed, the Door Unlocked indicators will light, allowing the door to be opened without tripping out the laser.

A continuous sound will be made by the ICS to indicate that the system is overridden. A rapid pulsed sound will be made by the keypad to indicate that the door is unlocked.

After a few seconds the Door Unlocked output will cease so that when the door closes it will become locked.

After a few more seconds the override will cease. If the door is still open when the override stops, the ICS will disable the laser.

An internal door release pushbutton may have been installed. If this is the case, pressing this will cause the keypad to activate the override and unlock the door in the same way it would if the user code had been entered.

Default Settings

The factory settings are:

Program Code:	1234
User Code:	3333
Door Unlocked Time:	5 seconds
Override Time:	15 seconds

In the event of the Program Code being forgotten, it may be reset back to the factory setting as follows:

Switch off the ICS or power supply to the keypad.

Release the keypad from the wall, see 'Removing the Keypad from the Wall'. The wiring may remain in place.

Fit a shorting link or otherwise apply a connection across the two-pin header J3, refer to the diagram in the Wiring section..

Switch on the power to the keypad for five seconds, then switch off. Note for newer ICS control panels such as ICS-6 the system will need to be armed to turn on the keypad power.

Remove the connection across J3.

Refit the keypad to the wall, see 'Attaching the Keypad to the Wallplate'.

Switch on the power to the keypad. The Program Code is now reset to the factory default value of 1234.

Specifications

Dimensions:

160 mm wide X 108mm high X 38.5mm deep.

Weight:

200g.

Operating Voltage:

24VDC.

Current Consumption:

25mA standby, 150mA activated.

All figures quoted are approximate. Lasermet reserve the right to alter specifications without prior notice.

Contact Details

For sales and technical support::

Lasermet Ltd.
Lasermet House,
137 Hankinson Road,
Bournemouth
BH9 1HR
United Kingdom.

Tel.: +44 (0) 1202 770740

Fax: +44 (0) 1202 770730

E-mail: sales@lasermet.com

Website: www.lasermet.com